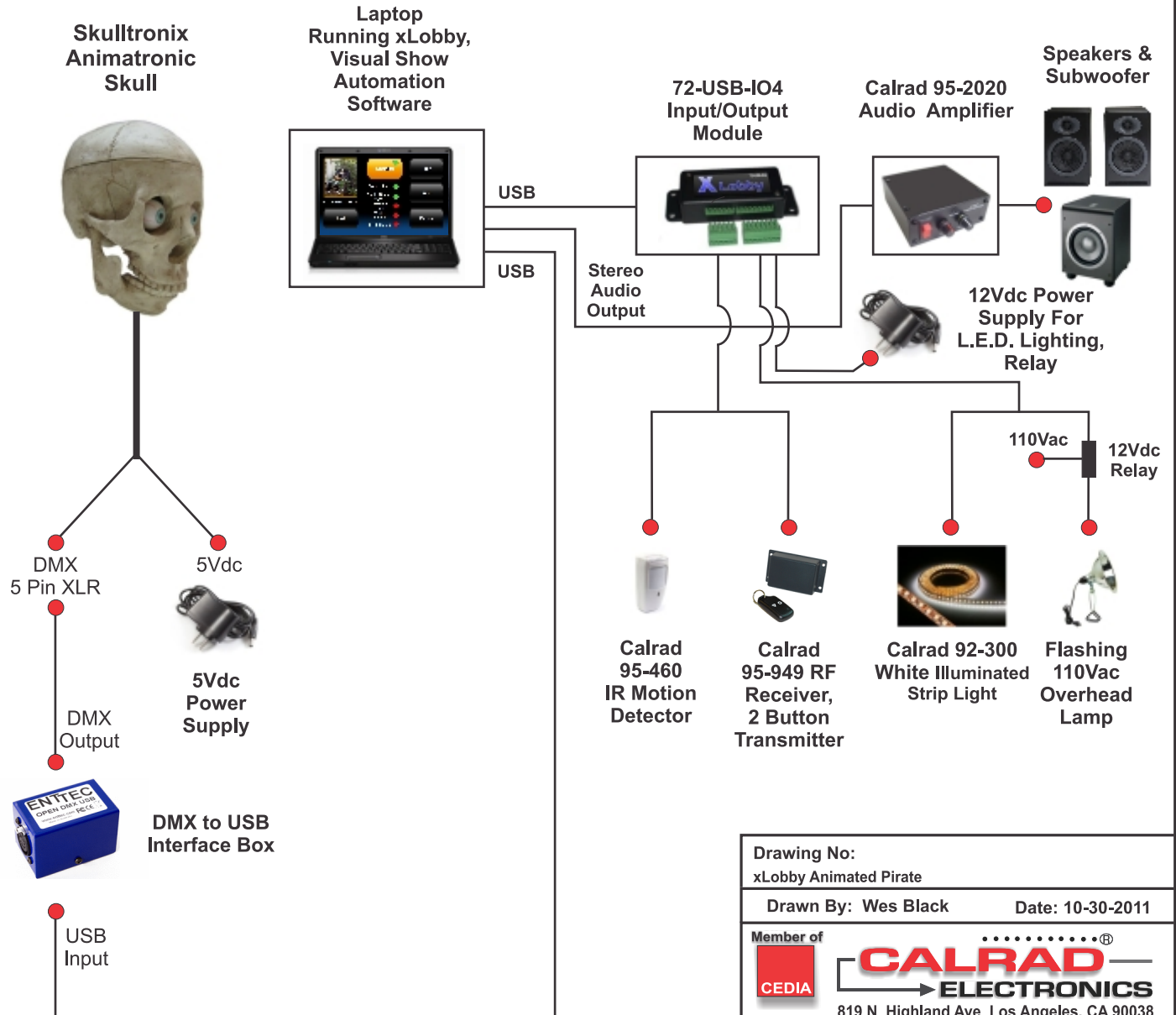




- Illuminated Flashing Lamp
- Skulltronix Animatronic Skull
- Stereo Speakers
- Illuminated Treasure Chest Calrad (92-300) Strip Lighting
- Calrad 95-460 IR Motion Detector
- Sub Woofer, 95-2020 Amplifier, RF Remote Control Receiver

# xLobby Pirate Block Diagram



Drawing No:  
xLobby Animated Pirate

Drawn By: Wes Black      Date: 10-30-2011

Member of **CEDIA** **CALRAD ELECTRONICS**

819 N. Highland Ave. Los Angeles, CA 90038  
Tel 323-465-2131, Fax 323-465-3504