



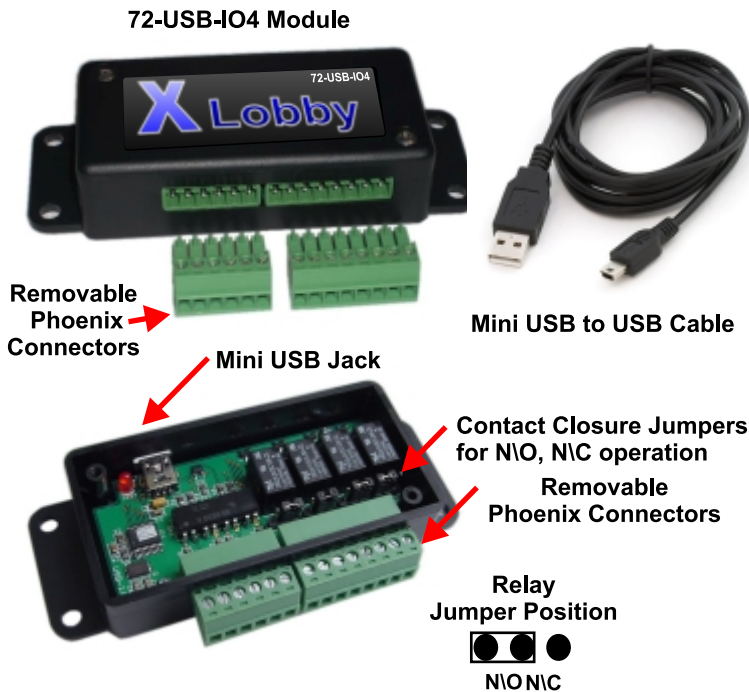
819 N. Highland Ave.
 Los Angeles, CA 90038
 Tel. (323) 465-2131, Fax (323) 465-3504
 Calrad Website: www.calrad.com
 xLobby Website: www.xlobby.com

Garage Door Example

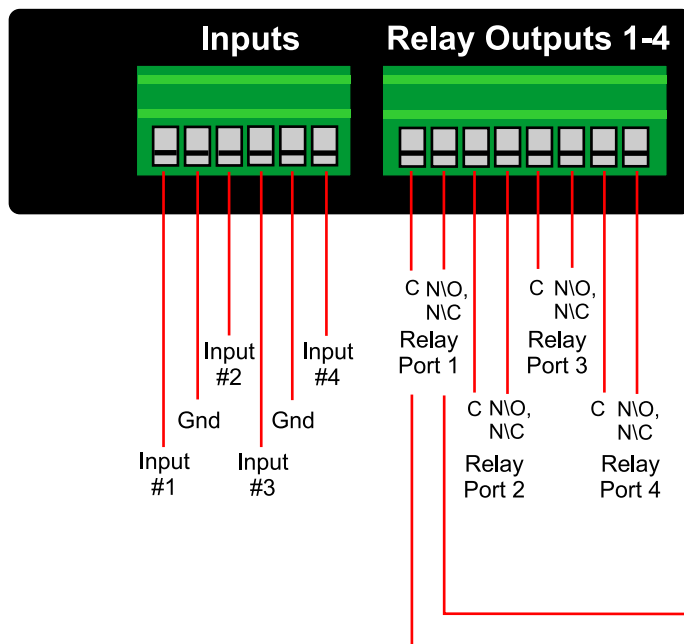
Part Number 72-USB-IO4

USB Controlled 4 Analog Inputs, 4 Dry Relay Contacts

The Calrad 72-USB-IO4 module is a very simple and inexpensive method to control up to 4 devices with dry contacts and also read input signals from external sources. Trigger motorized lifts, garage doors, electric gates. Detect door contact closures, use motion detectors for activity triggers, push buttons to trigger any xlobby event, music lighting, etc. , use a DC power display to indicate equipment rack power status or that a piece of equipment is powered on. The possibilities are endless. Jumpers change the logic of N/O, N/C for the relay contacts. Ships with all relays in N/O position. This device is easily accessible in the xLobby project menu.



Front Terminal Wiring Diagram



← Jumper Settings at (N/O)

Garage Door Example

